

PRODUCT SPECIFICATION - TOPVENT KR

AWK

VERSCHLÜSSE

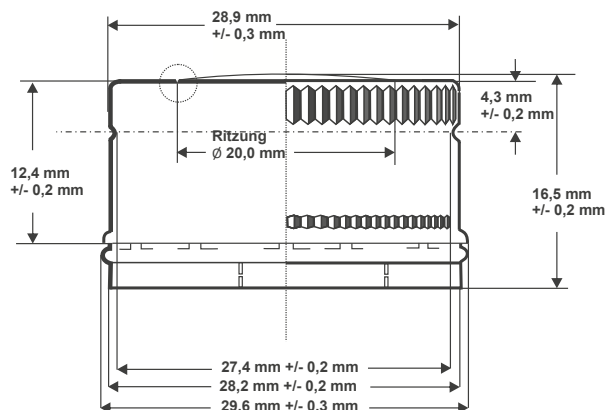


PRODUCT SPECIFICATION - TOPVENT KR



Aluminium Closure with Safety ring and vertical splits for one-way and returnable bottles with head vent.

DIMENSIONS



PRODUCT EXAMPLE



MATERIAL

special aluminium acc. DIN/EN 541/EN 573-3, material: EN AW-3105A AlMn0,5Mg0,5 thickness 0,21 mm, tenacity 150 – 190 N/mm²

LINER

PVC-Compound

INSIDE

organsol combination / adhesive varnish lightly gold-colored

OUTSIDE

protective lacquer neutral, lacquered or printed, acc. to customer design.

LOCKING

head pressure: 1.700 - 2.300 N
side pressure thread roll: 80 - 120 N
side pressure border roll: 90 - 120 N
draw depth: 0,3 - 0,5 mm

OPENING WORTH

5 – 18 lbs/inch

BLOWING VALUE

1,5 – 5,0 bar

SHELF LIFE

up to 12 month. We recommend cool and dry storage

WEIGHT

ca. 1,6 kg/1000 pcs

PACKAGE

carton contents 5.000 pcs.
octabin contents 120.000 pcs. - skeleton container contents 135.000 pcs.

FOOD REGULATORY:

all used materials agree, acc. to the specifications of our suppliers, to the following guidelines and recommendations. Therefore the product can be identified as uncritical for food regulatory and can be used in contact with food.

- Lebensmittel- u. Futtermittelgesetzbuch (LFGB) §§ 30 u. 31 (1)
- EU-Verordnung 10/2011, Richtlinie 2002/72/EG, 2007/19/EG, EG-Verordnung 1935/2004 sowie der EG-Verordnung 2023/2006
- Bedarfsgegenständeverordnung (BedGgst.V)

The stated dimensions are binding. All other indications are corresponding to our experience and shall advice. We can only guarantee the uniformity of the closures but not the individual application because processing and other conditions are beyond our influence. With appearance of a remake all previous editions lose their validation.

AWK VERSCHLÜSSE GmbH & Co. KG

Thölauer Str. 12
95615 Marktredwitz

Tel. +49 (0) 9231 995-05
Fax +49 (0) 9231 995-164

Mail kontakt@awk-verschuesse.de
Web www.awk-verschuesse.de